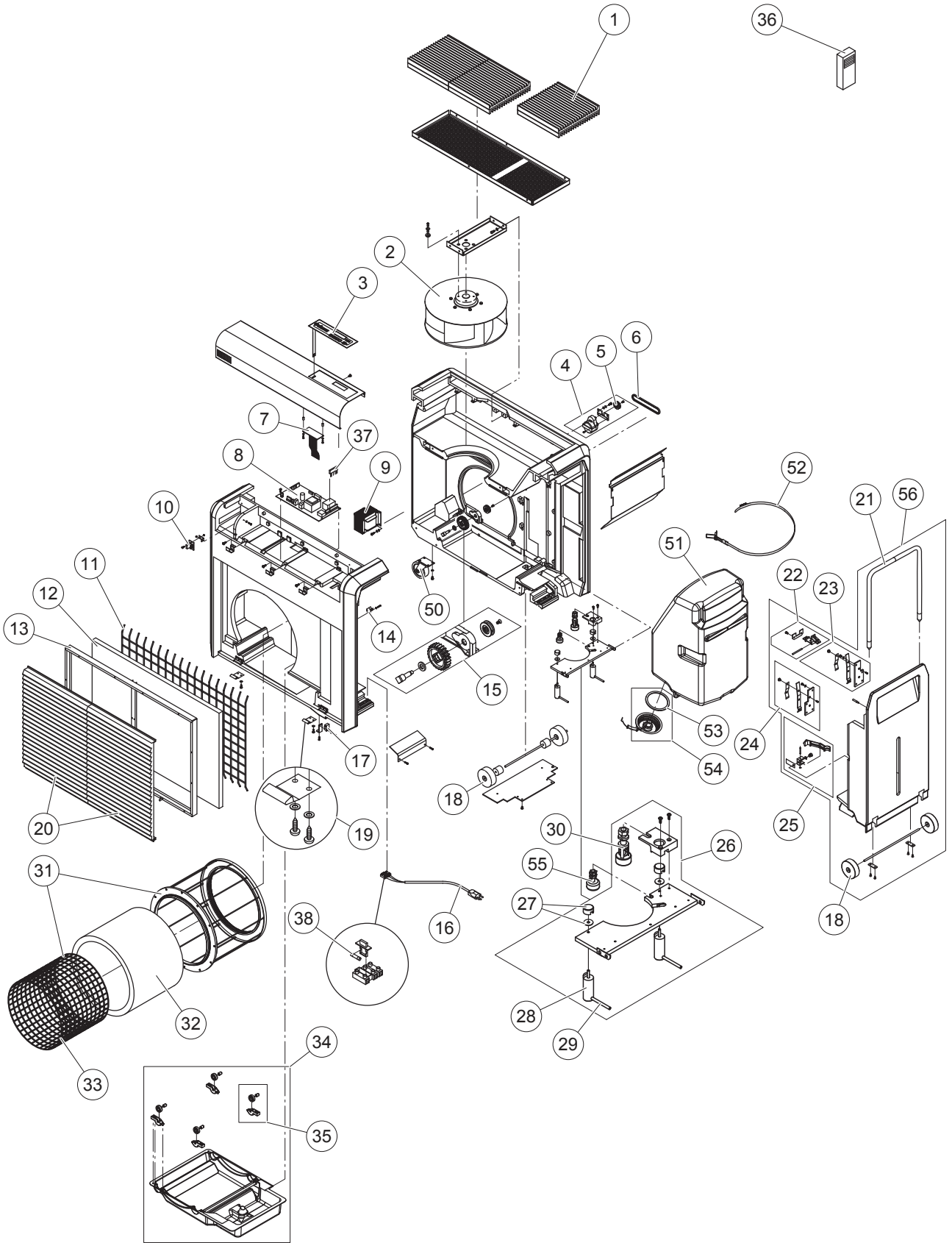


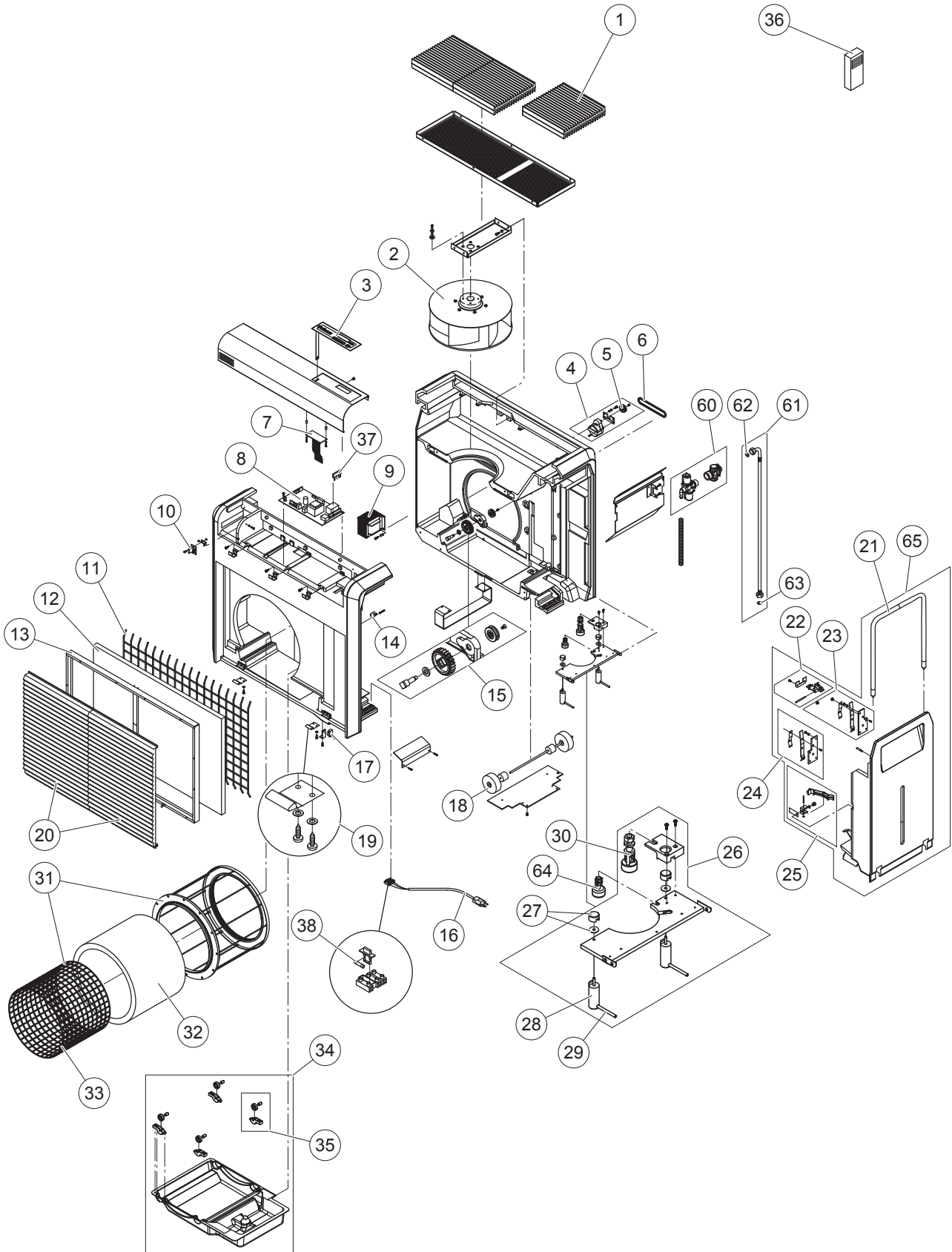
10.2 Spare parts list PH28



Pos.	Art.-No.	Spare parts designation
1	2560541	Outlet grill
	2561710	Outlet grill special color (RAL or NCS code according type plate)
2	2577328	Fan cpl.
3	2560927	Keyboard foil
4	2560916	Synchronous motor cpl.
5	2533163	Tothed belt pulley for motor
6	1103725	Toothed belt
7	1115515	Display LCD
8	2560896	Control PCB
9	1103722	Transformer cpl.
10	1103719	Humidity sensor cpl.
11	1103936	Support Mesh
12	1106228	Z85 Coarse dust filter (Winter) (2 pcs)
	1109907	Z26 Quattro filter (Summer) (2 pcs)
13	1103286	Filter frame
14	1110666	Microswitch door lock
15	1102217	Drive wheel cpl.
16	1100034	Mains lead CH
	1110153	Mains lead EU
	1116469	Mains lead Singapore
17	1103714	Microswitch filter wall
18	2560893	Roller (2 pcs)
19	1103737	Retainer spring cpl.
20	1114709	Air Intake grill (2 pcs)
	2561711	Air Intake grill special color (2 pcs) (RAL or NCS code according type plate)
21	2560889	Handle
22	1102394	Door locking set
23	2560883	Stop lever cpl. (left)
24	2560884	Stop lever cpl. (right)
25	1103732	Door arresting set
26	2560917	Hinged plate cpl.
27	2524412	Insulation cap + socket (2 pcs)
28	2525859	Support ionisation electrode cpl. (2 pcs)
29	1115356	Ionisation electrode (2 pcs)
30	2571368 *	Level switch
31	1110529	Humidification drum
32	1100465	Z87 Evaporator mat neutral (Winter)
	1110398	Z57 AC-evaporator mat (Summer)
33	2560894	Retaining net
34	1109953	Base tub cpl.
35	1101326	Bearings and rollers (4 pcs)
36	2524759	Radio humidity sensor
37	2525353	Receiver module
38	1102957	Fuse 5x20 1.25A T (3 pcs)
	2560932	Fuse 5x20 2.5A T (3 pcs)
---	1119520	Ionisation cable
50	2560888	Caster
51	1101592	Water tank
52	2560885	Tightener
53	1110179	Gasket level control valve $\varnothing 84$
54	1104407	Level control valve
55	2560897	Level safety switch
56	1117040	Water tank carriage
	2561712	Water tank carriage special color (RAL or NCS code according type plate)
---	1115357	Filling hose

* Article number for units produced before March 1, 2013: 2571369

10.3 Spare parts list PH28A



Pos.	Art.-No.	Spare parts designation
1	2560541	Outlet grill
	2561710	Outlet grill special color (RAL or NCS code according type plate)
2	2577328	Fan cpl.
3	2560927	Keyboard foil
4	2560916	Synchronous motor cpl.
5	2533163	Tothed belt pulley for motor
6	1103725	Toothed belt
7	1115515	Display LCD
8	2560896	Control PCB
9	1103722	Transformer cpl.
10	1103719	Humidity sensor cpl.
11	1103936	Support Mesh
12	1106228	Z85 Coarse dust filter (Winter) (2 pcs)
	1109907	Z26 Quattro filter (Summer) (2 pcs)
13	1103286	Filter frame
14	1110666	Microswitch door lock
15	1102217	Drive wheel cpl.
16	1100034	Mains lead CH
	1110153	Mains lead EU
	1116469	Mains lead Singapore
17	1103714	Microswitch filter wall
18	2560893	Roller (2 pcs)
19	1103737	Retainer spring cpl.
20	1114709	Air Intake grill (2 pcs)
	2561711	Air Intake grill special color (2 pcs) (RAL or NCS code according type plate)
21	2560889	Handle
22	1102394	Door locking set
23	2560883	Stop lever cpl. (left)
24	2560884	Stop lever cpl. (right)
25	1103732	Door arresting set
26	2560917	Hinged plate cpl.
27	2524412	Insulation cap + socket (2 pcs)
28	2525859	Support ionisation electrode cpl. (2 pcs)
29	1115356	Ionisation electrode (2 pcs)
30	2571368 *	Level switch
31	1110529	Humidification drum
32	1100465	Z87 Evaporator mat neutral (Winter)
	1110398	Z57 AC-evaporator mat (Summer)
33	2560894	Retaining net
34	1109953	Base tub cpl.
35	1101326	Bearings and rollers (4 pcs)
36	2524759	Radio humidity sensor
37	2525353	Receiver module
38	1102957	Fuse 5x20 1.25A T (3 pcs)
	2560932	Fuse 5x20 2.5A T (3 pcs)
---	1119520	Ionisation cable
60	2525260	Valve unit cpl.
61	2560895	Water supply armored
62	2542955	Flat gasket $\varnothing 24/17 \times 2$ (5 pcs)
63	2543402	Gasket 3/4" / $\varnothing 24 \times \varnothing 15 \times 2$ mm (5 pcs)
64	2560924	Level safety switch A-type
65	2560933	Side cover A-type
	2561713	Side cover A-type special color (RAL or NCS code according type plate)

* Article number for units produced before March 1, 2013: 2571369



CONSULTING, SALES AND SERVICE:



Reg.No. 40002-2

Manufacturer:

Condair Ltd.

Talstrasse 35-37, 8808 Pfäffikon, Switzerland

Ph. +41 55 416 61 11, Fax +41 55 416 62 62

info@condair.com, www.condair.com